

SPEC SHEET
U22K
2 to 18 GHz
 Triple Balanced Mixers

Specifications

RF Frequency	2 to 18 GHz
LO Frequency	2 to 18 GHz
LO Power	10 dBm typ

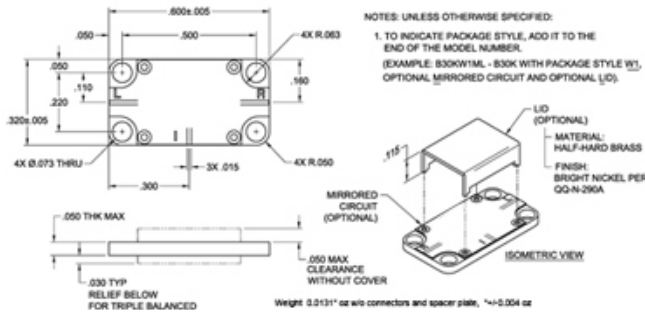
Transfer Characteristics

Conversion Loss	6.8 dB typ 8.5 dB max
IF Frequency	1.5 to 8 GHz
LO to RF Isolation	16 dB min 28 dB typ
LO to IF Isolation	16 dB min 26 dB typ
IP3 In	13 dBm typ
P1dB In	4 dBm typ

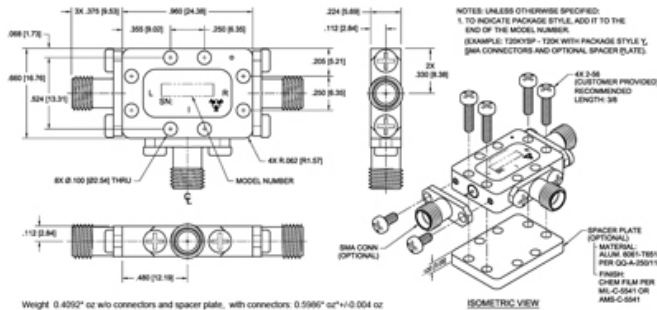
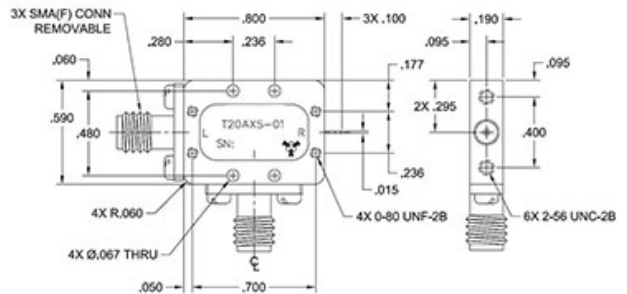
Available Package Styles

Available Package Styles

W1, X, Y



X PACKAGE



Environmental Notes
Ratings

Operating Temp -55 °C to 100 °C



Microwave RF Components | Manteca, CAL | 1-209-825-3977 | rf.mrcy.com
Specifications subject to change without notice

[Request a Quote](#) | [Ask an Engineer](#)  