

SPEC SHEET
U20V
2 to 18 GHz
 Double Balanced Mixers

Specifications

RF Frequency	2 to 18 GHz
LO Frequency	2 to 18 GHz
LO Power	16 dBm typ

Transfer Characteristics

Conversion Loss	7.3 dB typ 8.5 dB max
IF Frequency	DC to 2 GHz
LO to RF Isolation	22 dB min 27 dB typ
LO to IF Isolation	15 dB min 22 dB typ
IP3 In	19 dBm typ
P1dB In	10 dBm typ

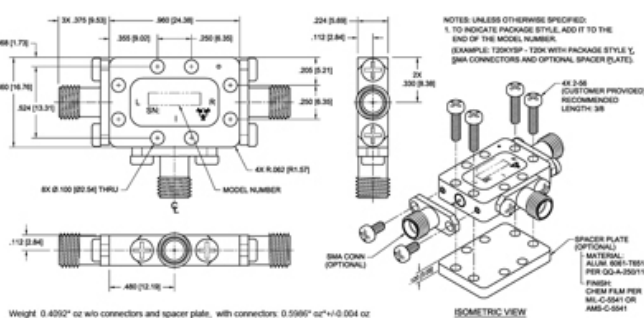
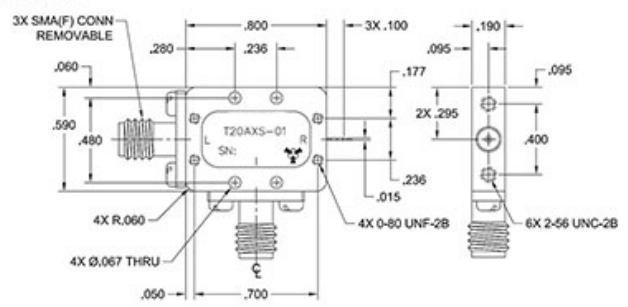
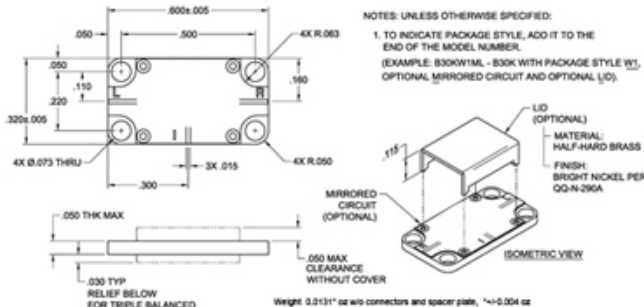


Available Package Styles

Available Package Styles

W1,X,Y

X PACKAGE



Environmental Ratings

Notes

Operating Temp -55 °C to 100 °C



Microwave RF Components | Manteca, CAL | 1-209-825-3977 | rf.mrcy.com
Specifications subject to change without notice

[Request a Quote](#) | [Ask an Engineer](#)  