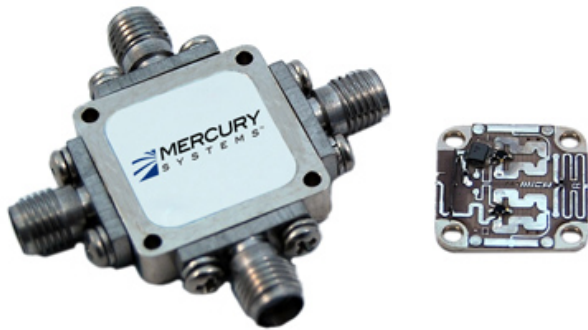


SPEC SHEET

MIQ80V

8 to 13 GHz

IQ Mixers



Specifications

RF Frequency	8 to 13 GHz
LO Frequency	8 to 13 GHz
LO Power	17 dBm typ

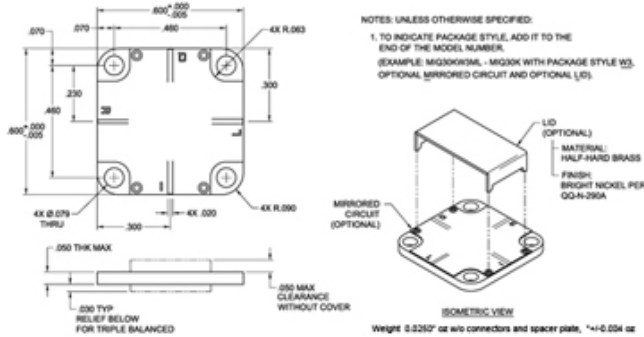
Transfer Characteristics

Conversion Loss	5 dB typ 7 dB max
IF Frequency	DC to 0.5 GHz
LO to RF Isolation	25 dB min 31 dB typ
LO to IF Isolation	25 dB min 31 dB typ
IP3 In	12 dBm typ
P1dB In	21 dBm typ

Available Package Styles

Available Package Styles

W3,X1



Environmental Ratings

Notes

