

**SPEC SHEET**  
**F40V**  
**4 to 9 GHz**  
 Frequency Doublers



**Specifications**

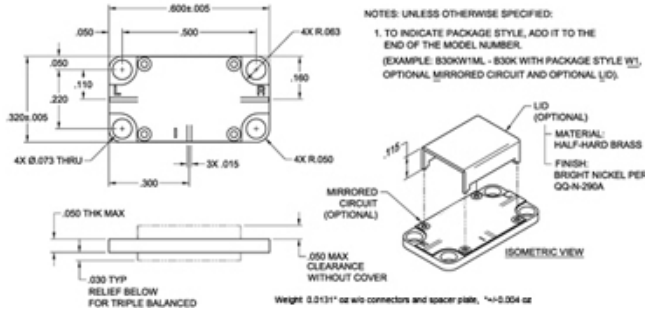
RF Frequency	4 to 9 GHz
RF VSWR	2.0:1
LO Frequency	8 to 18 GHz
LO Power	16 dBm min 19 dBm typ
LO VSWR	2.0:1

**Transfer Characteristics**

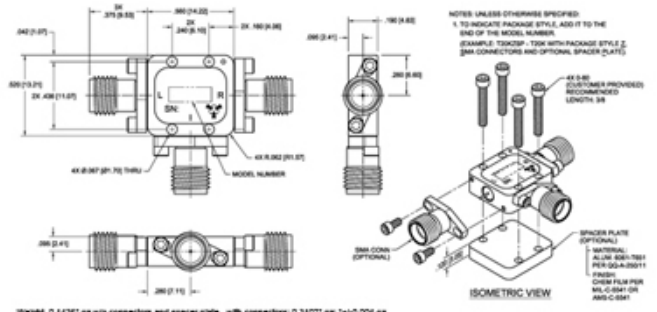
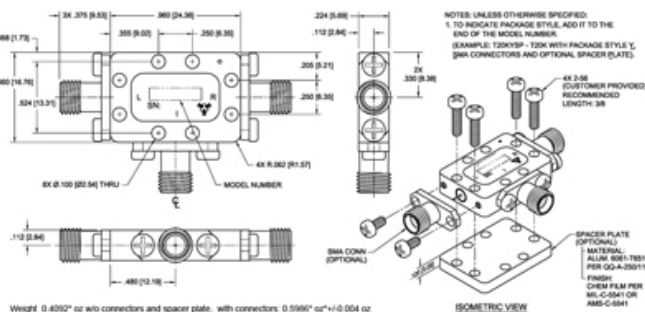
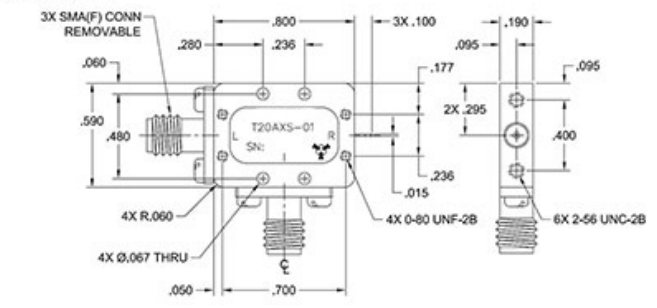
Conversion Loss	11 dB typ 13 dB max
LO to RF Isolation	20 dB min 25 dB typ

**Available Package Styles**

Available Package Styles MST313, SMXT313  
 Surface Mount Available



**X PACKAGE**



**Environmental Ratings**

Operating Temp -54 °C to 100 °C

**Notes**



Microwave RF Components | Manteca, CAL | 1-209-825-3977 | [rf.mrcy.com](http://rf.mrcy.com)  
Specifications subject to change without notice

[Request a Quote](#) | [Ask an Engineer](#)  