

**SPEC SHEET**  
**B61V**  
**6 to 18 GHz**  
 Triple Balanced Mixers



**Specifications**

|              |             |
|--------------|-------------|
| RF Frequency | 6 to 18 GHz |
| LO Frequency | 6 to 18 GHz |
| LO Power     | 16 dBm typ  |

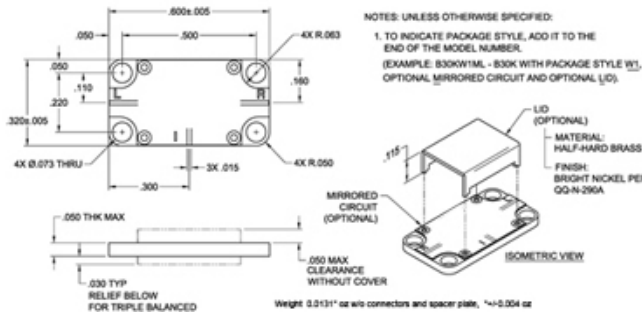
**Transfer Characteristics**

|                    |                        |
|--------------------|------------------------|
| Conversion Loss    | 7 dB typ<br>8.5 dB max |
| IF Frequency       | 1.5 to 8 GHz           |
| LO to RF Isolation | 20 dB min<br>28 dB typ |
| LO to IF Isolation | 17 dB min<br>26 dB typ |
| IP3 In             | 19 dBm typ             |
| P1dB In            | 10 dBm typ             |

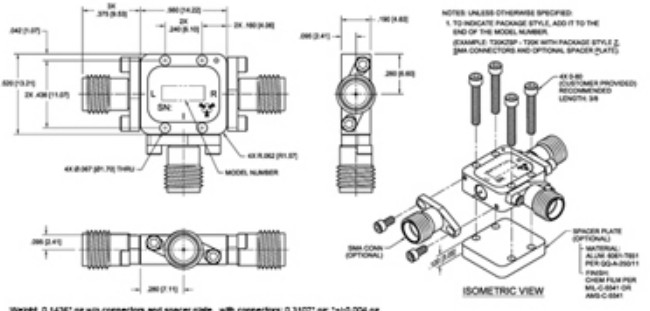
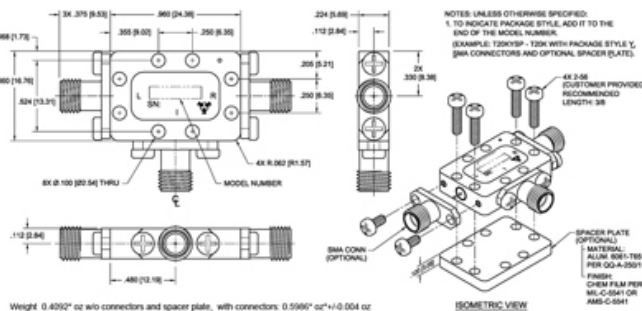
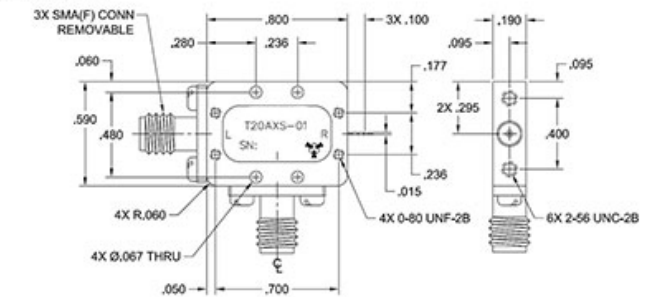
**Available Package Styles**

Available Package Styles

W1,X,Y,Z



**X PACKAGE**



**Environmental Ratings**

Operating Temp -55 °C to 100 °C

**Notes**



Microwave RF Components | Manteca, CAL | 1-209-825-3977 | [rf.mrcy.com](http://rf.mrcy.com)  
Specifications subject to change without notice

[Request a Quote](#) | [Ask an Engineer](#)  