

SPEC SHEET

B61A

6 to 18 GHz

Triple Balanced Mixers



Specifications

RF Frequency	6 to 18 GHz
LO Frequency	6 to 18 GHz
LO Power	13 dBm typ

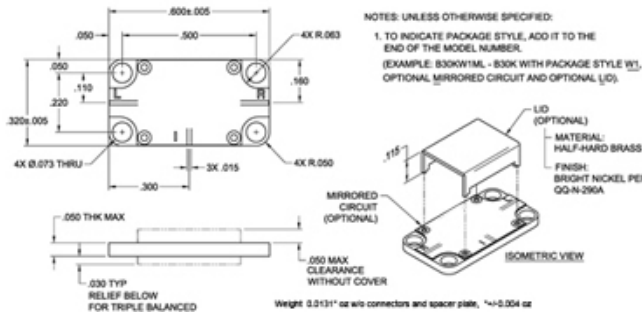
Transfer Characteristics

Conversion Loss	7 dB typ 8.5 dB max
IF Frequency	1.5 to 8 GHz
LO to RF Isolation	20 dB min 28 dB typ
LO to IF Isolation	17 dB min 26 dB typ
IP3 In	17 dBm typ
P1dB In	7 dBm typ

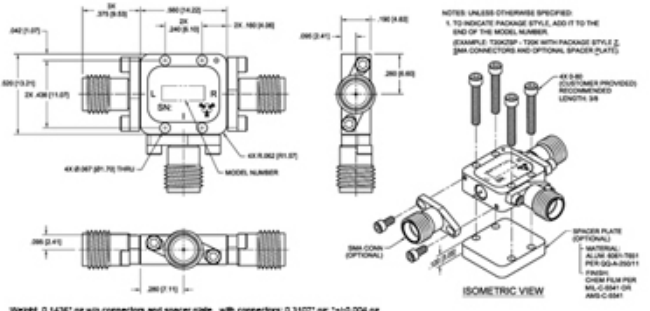
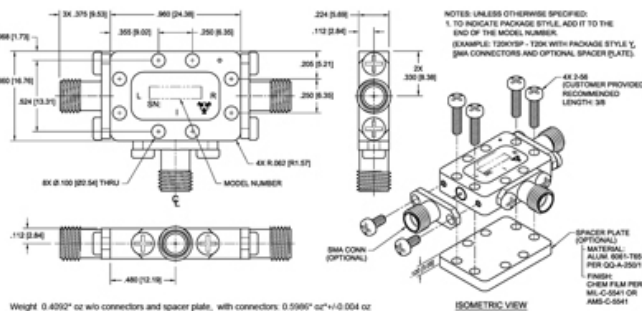
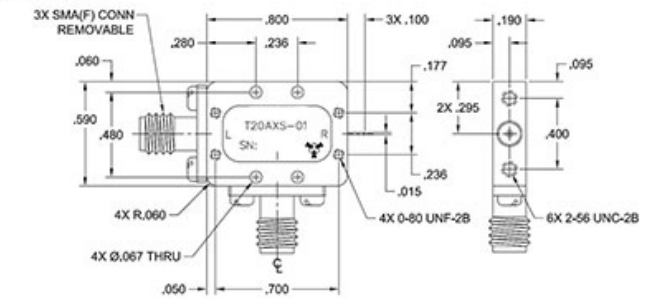
Available Package Styles

Available Package Styles

W1,X,Y,Z



X PACKAGE



Environmental Ratings

Operating Temp -55 °C to 100 °C

Notes



Microwave RF Components | Manteca, CAL | 1-209-825-3977 | rf.mrcy.com
Specifications subject to change without notice

[Request a Quote](#) | [Ask an Engineer](#)  