

SPEC SHEET

# B50H

## 5 to 18 GHz

### Double Balanced Mixers



## Specifications

RF Frequency	5 to 18 GHz
LO Frequency	5 to 18 GHz
LO Power	7 dBm typ

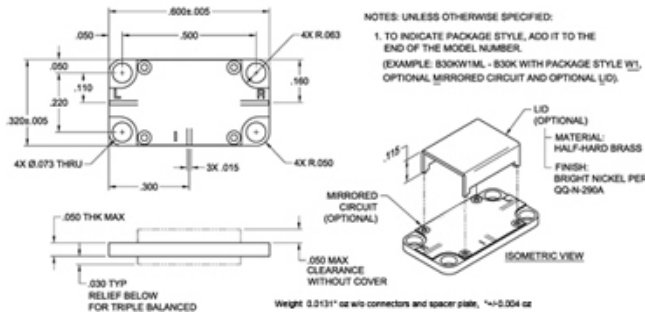
## Transfer Characteristics

Conversion Loss	6.2 dB typ 8 dB max
IF Frequency	DC to 4 GHz
LO to RF Isolation	22 dB min 35 dB typ
LO to IF Isolation	20 dB min 30 dB typ
IP3 In	11 dBm typ
P1dB In	1 dBm typ

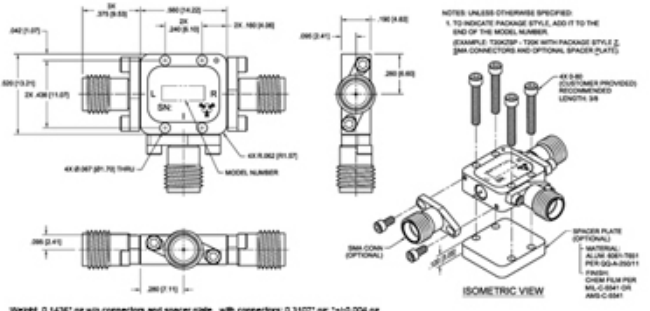
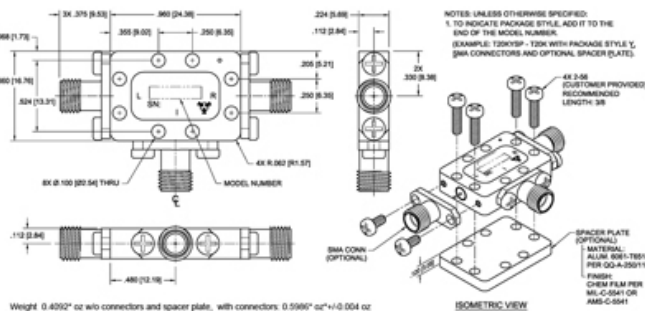
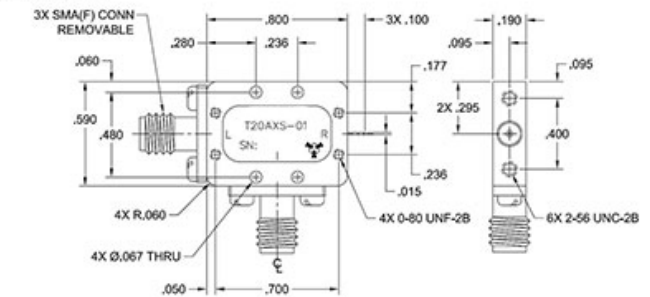
## Available Package Styles

Available Package Styles

W1,X,Y,Z



### X PACKAGE



## Environmental Ratings

Operating Temp -55 °C to 100 °C

## Notes



Microwave RF Components | Manteca, CAL | 1-209-825-3977 | [rf.mrcy.com](http://rf.mrcy.com)  
Specifications subject to change without notice

[Request a Quote](#) | [Ask an Engineer](#)  